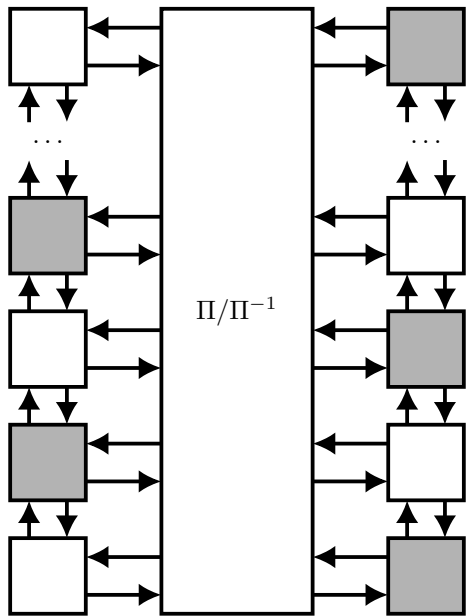


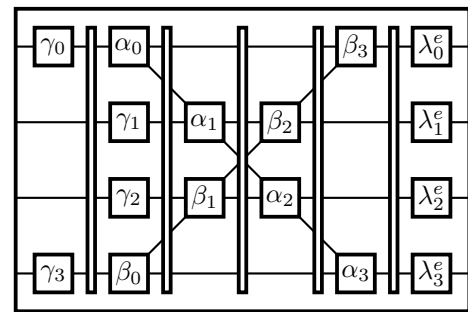
PMAP

(a)



FPMAP

(b)



Π/Π^{-1}

XMAP

(c)