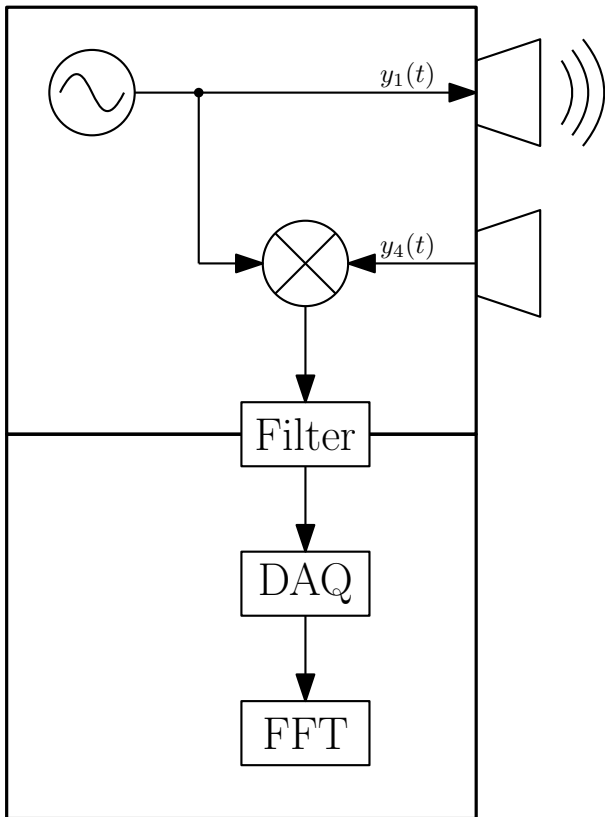


Classical FMCW radar



Range

Active responder

